

General Specifications

Motor Structure: Shaded Pole Induction Motor
Motor Protection: Impedance Protection
Insulation Resistance:
 10M Ω or over with a DC500V Megger
Dielectric Withstand Voltage: AC 700V 1s
Allowable Ambient Temperature Range:
 -10°C ~ +60°C (Operating)
 -40°C ~ +70°C (Storage)
 (non-condensing environment)

Expected Life

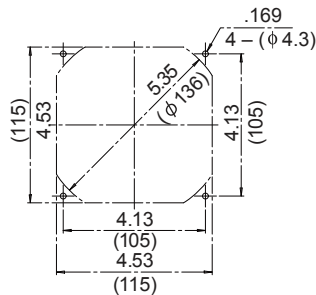
Failure Rate: 10%
 25°C 50,000 Hours

Material

Casing : Aluminum
Impeller : Steel
Bearing : Ball Bearings
Lead Wire : Faston #110 or Equivalent

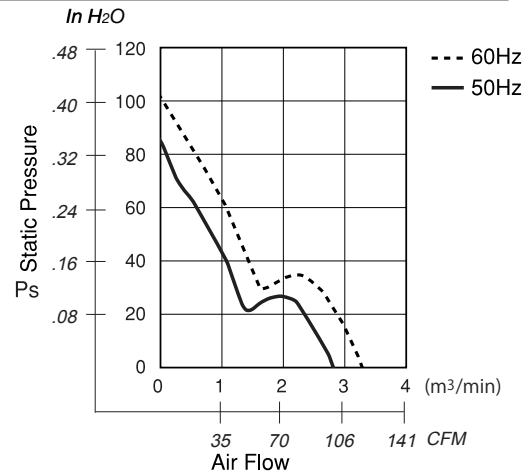
Panel Cut-Outs

Units: inch (mm)

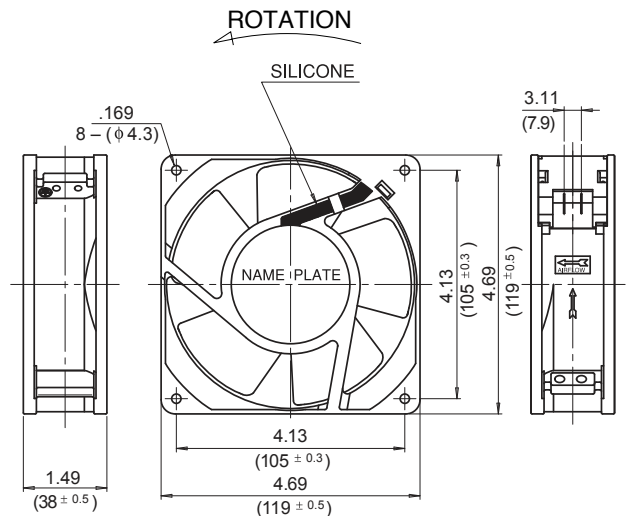


INLET SIDE / OUTLET SIDE

Characteristic Curves



Outline



Specifications

MODEL	Rated Voltage	Frequency	Starting Voltage	Current	Input Power	Speed	Max. Air Flow		Max. Static Pressure		Noise	Mass
	(V)	(Hz)	(V)	(A) ¹	(W)	(min ⁻¹) ³	CFM	(m ³ /min) ²	in H ₂ O	(Pa) ²	(dB) ²	(g)
** 4715TS-10T-B50-BM0	100	50	65	0.450	20.0	2600	98.84	2.80	0.352	88.0	46	650
** 4715TS-10T-B50-BM0	100	60	65	0.340	17.0	3100	116.49	3.30	0.400	100.0	50	650
4715TS-12T-B50-AM0	115	50	75	0.390	21.0	2600	98.84	2.80	0.352	88.0	46	650
4715TS-12T-B50-AM0	115	60	75	0.300	17.0	3100	116.49	3.30	0.400	100.0	50	650
** 4715TS-20T-B50-BM0	200	50	130	0.220	21.0	2600	98.84	2.80	0.352	88.0	46	650
** 4715TS-20T-B50-BM0	200	60	130	0.170	17.0	3100	116.49	3.30	0.400	100.0	50	650
** 4715TS-22T-B50-BM0	220	50	145	0.200	20.0	2600	98.84	2.80	0.352	88.0	46	650
** 4715TS-22T-B50-BM0	220	60	145	0.150	17.0	3100	116.49	3.30	0.400	100.0	50	650
4715TS-23T-B50-AM0	230	50	175	0.190	21.0	2600	98.84	2.80	0.352	88.0	46	650
4715TS-23T-B50-AM0	230	60	175	0.140	17.0	3100	116.49	3.30	0.400	100.0	50	650
** 4715TS-24T-B50-AM0	240	50	175	0.180	20.0	2600	98.84	2.80	0.352	88.0	46	650
** 4715TS-24T-B50-AM0	240	60	175	0.140	17.0	3100	116.49	3.30	0.400	100.0	50	650

Rotation: Counterclockwise

Airflow Outlet: Air Out Over Struts

*1: Maximum Values in Free Air

** Contact NMB for Availability

*2: Average Values in Free Air

*3: Minimum Values in Free Air